

Selected source: J Sub Flown J-Series flown

Array settings

Position x:	0.0 m	Position y:	14.3 m
Frame height front:	14.0 m	No. of J-SUB:	6
Horizontal aiming:	0.0 °	No. of J8:	0
Frame angle:	0.0 °	No. of J12:	0
Delay (abs.):	0.3 ms		

TOPs

CUT: Off	CPL: 0	INFRA: Off	HCD: On
----------	--------	------------	---------

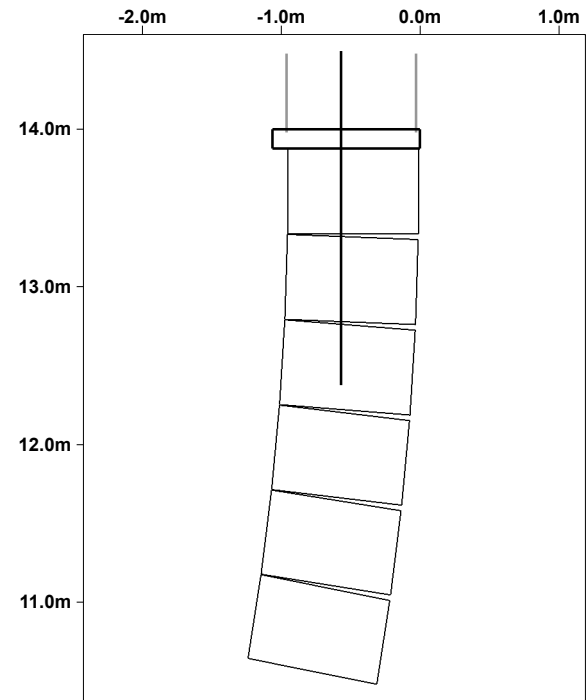
SUBs

Cab.	Type	Setup	Level/dB	HFC	Abs.:	Splay:
1	J-SUB	---	3.0	on	0.0 °	0.0 °
2	J-SUB	---	3.0	on	-2.0 °	2.0 °
3	J-SUB	---	3.0	on	-4.0 °	2.0 °
4	J-SUB	---	3.0	on	-6.0 °	2.0 °
5	J-SUB	---	3.0	on	-8.0 °	2.0 °
6	J-SUB	---	3.0	on	-10.0 °	2.0 °

Load OK within BGV-C1 limits 42% of load limit

Total weight:	703 kg
Height of lowest edge:	10.48 m

Array view



| Center of gravity | Pickpoints

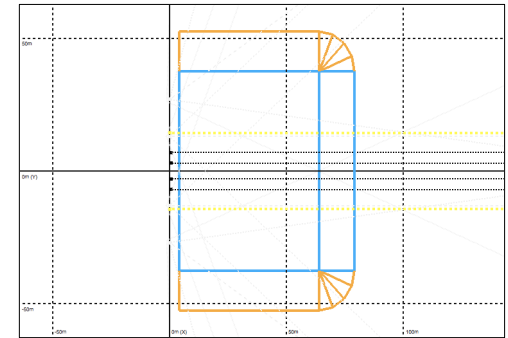
Pickpoints

	Rear	Front	Distance	Single
x:	-0.97 m	-0.03 m	0.94 m	-0.55 m
y:	-14.30 m	-14.30 m	0.00 m	-14.30 m
Load:	406 kg	297 kg		703 kg
Pickpt. hole:	38.5	1		22.5
Position:				57.0 cm

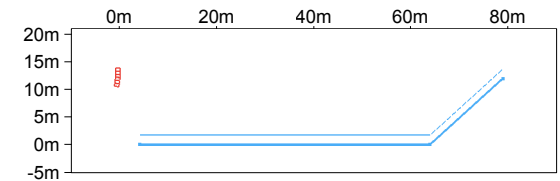
Air absorption On

Temperature:	20 °C	Humidity:	60%
--------------	-------	-----------	-----

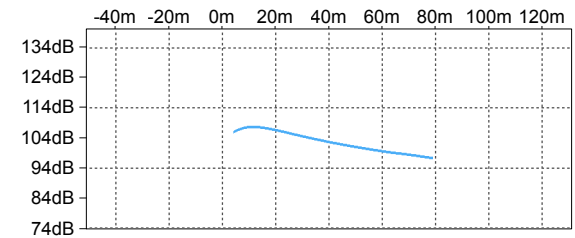
Top view



J Sub Flown: Profile at 0 ° aiming



J Sub Flown: Direct sound level vs. distance/dB SPL



Signal selection

Curve 1:	id IEC60268	Level (dBU):	0.0
Weighting:	dB linear		