

Selected source: Main J-Series flown

Array settings

| | | | |
|---------------------|---------|---------------|--------|
| Position x: | 0.0 m | Position y: | 13.0 m |
| Frame height front: | 14.0 m | No. of J-SUB: | 0 |
| Horizontal aiming: | 0.0 ° | No. of J8: | 14 |
| Frame angle: | 0.0 ° | No. of J12: | 4 |
| Delay (abs.): | 19.4 ms | | |

TOPs

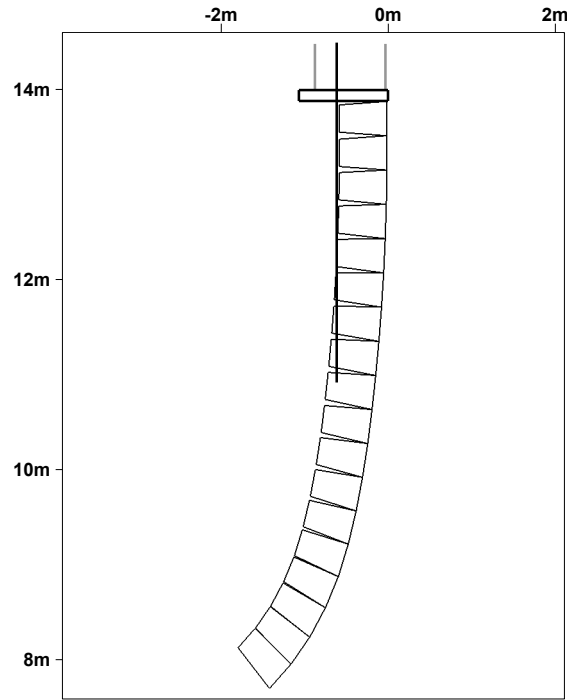
| | |
|---------|---------|
| CUT: On | CPL: -4 |
|---------|---------|

| Cab. | Type | Setup | Level/dB | HFC | Abs.: | Splay: |
|------|------|-------|----------|-----|---------|--------|
| 1 | J8 | Line | 3.0 | 2 | 0.0 ° | 0.0 ° |
| 2 | J8 | Line | 3.0 | 2 | 0.0 ° | 0.0 ° |
| 3 | J8 | Line | 3.0 | 2 | -1.0 ° | 1.0 ° |
| 4 | J8 | Line | 3.0 | 2 | -2.0 ° | 1.0 ° |
| 5 | J8 | Line | 2.0 | 2 | -3.0 ° | 1.0 ° |
| 6 | J8 | Line | 2.0 | 2 | -4.0 ° | 1.0 ° |
| 7 | J8 | Arc | 0.0 | 2 | -5.0 ° | 1.0 ° |
| 8 | J8 | Arc | 0.0 | 2 | -6.0 ° | 1.0 ° |
| 9 | J8 | Arc | 0.0 | 1 | -7.0 ° | 1.0 ° |
| 10 | J8 | Arc | 0.0 | 1 | -8.0 ° | 1.0 ° |
| 11 | J8 | Arc | 0.0 | -- | -10.0 ° | 2.0 ° |
| 12 | J8 | Arc | 0.0 | -- | -12.0 ° | 2.0 ° |
| 13 | J8 | Arc | 0.0 | -- | -15.0 ° | 3.0 ° |
| 14 | J8 | Arc | 0.0 | -- | -19.0 ° | 4.0 ° |
| 15 | J12 | Arc | -3.0 | -- | -25.0 ° | 6.0 ° |
| 16 | J12 | Arc | -3.0 | -- | -31.0 ° | 6.0 ° |
| 17 | J12 | Arc | -3.0 | -- | -38.0 ° | 7.0 ° |
| 18 | J12 | Arc | -3.0 | -- | -45.0 ° | 7.0 ° |

Load OK within BGV-C1 limits 72% of load limit

| | |
|------------------------|---------|
| Total weight: | 1150 kg |
| Height of lowest edge: | 7.69 m |

Array view



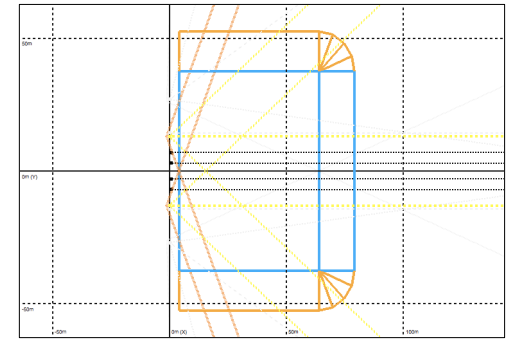
Pickpoints

| | Rear | Front | Distance | Single |
|---------------|----------|----------|----------|--------|
| x: | -0.88 m | -0.03 m | 0.85 m | -- |
| y: | -13.00 m | -13.00 m | 0.00 m | -- |
| Load: | 795 kg | 356 kg | | -- |
| Pickpt. hole: | 35 | 1 | | -- |
| Position: | | | | -- |

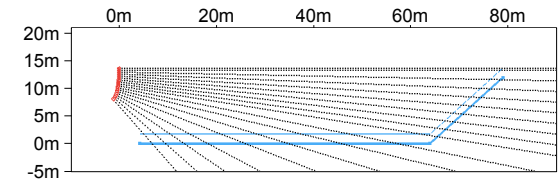
Air absorption On

| | | | |
|--------------|-------|-----------|-----|
| Temperature: | 20 °C | Humidity: | 60% |
|--------------|-------|-----------|-----|

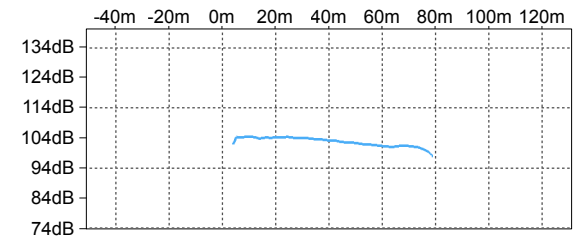
Top view



Main: Profile at 0° aiming



Main: Direct sound level vs. distance/dB SPL



Signal selection

| | | | |
|------------|-------------|--------------|-----|
| Curve 1: | id IEC60268 | Level (dBU): | 0.0 |
| Weighting: | dB linear | | |